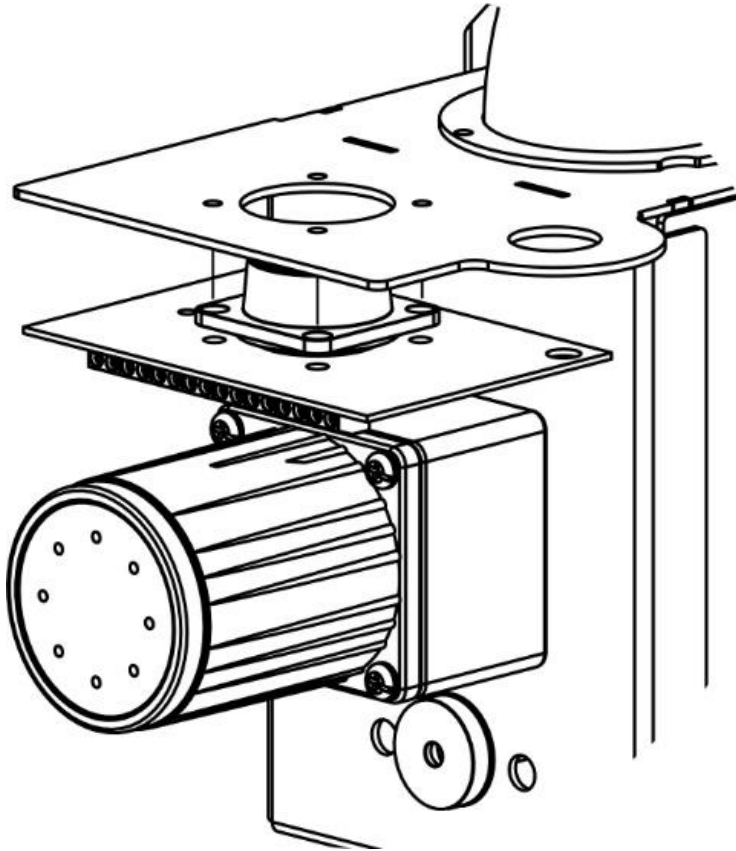


Installation Guide

8-12Pin PTC Motorprint KIT

1. Remove your old motor print board by drilling out the rivets.

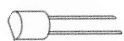


2. Check to see if it is a PTC or NTC sensor fitted on your old motor print board.

NTC føler:



PTC føler:

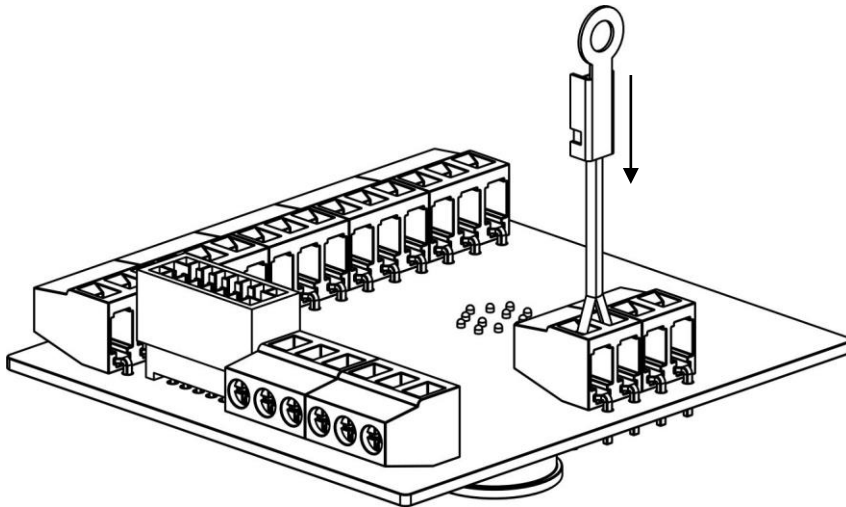


Installation Guide

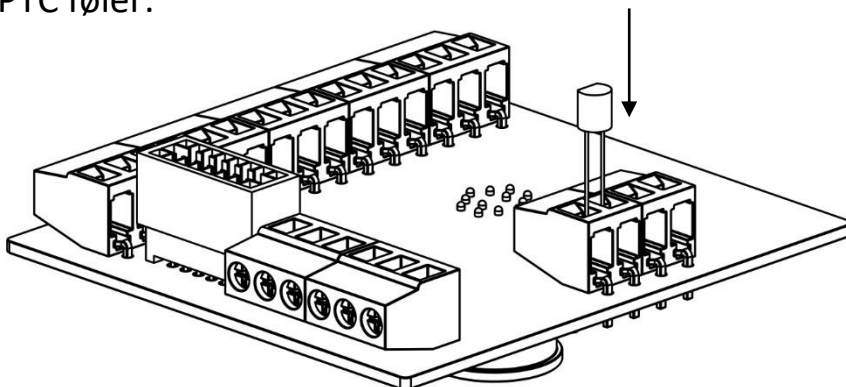
8-12Pin PTC Motorprint KIT

3. Depending on what kind of sensor was on your old motor print board, install the same type on your new 12 pin motor print board.

NTC føler:



PTC føler:

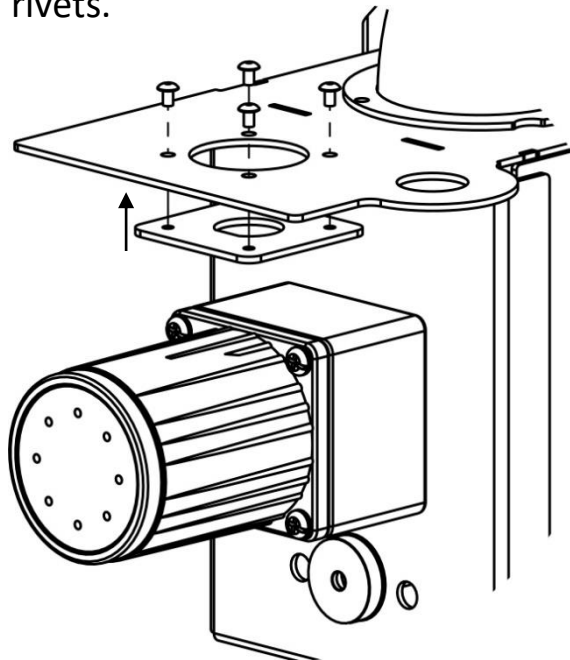


Installations Guide

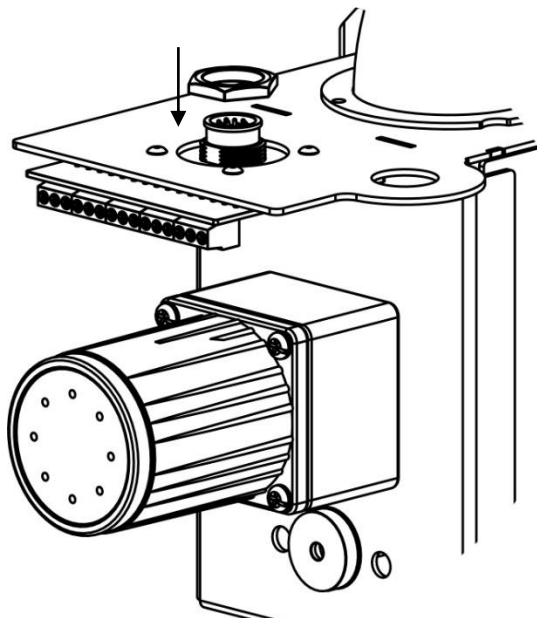
8-12Pin PTC Motorprint KIT



4. Install the supplied bracket on the underside of burner with the rivets.



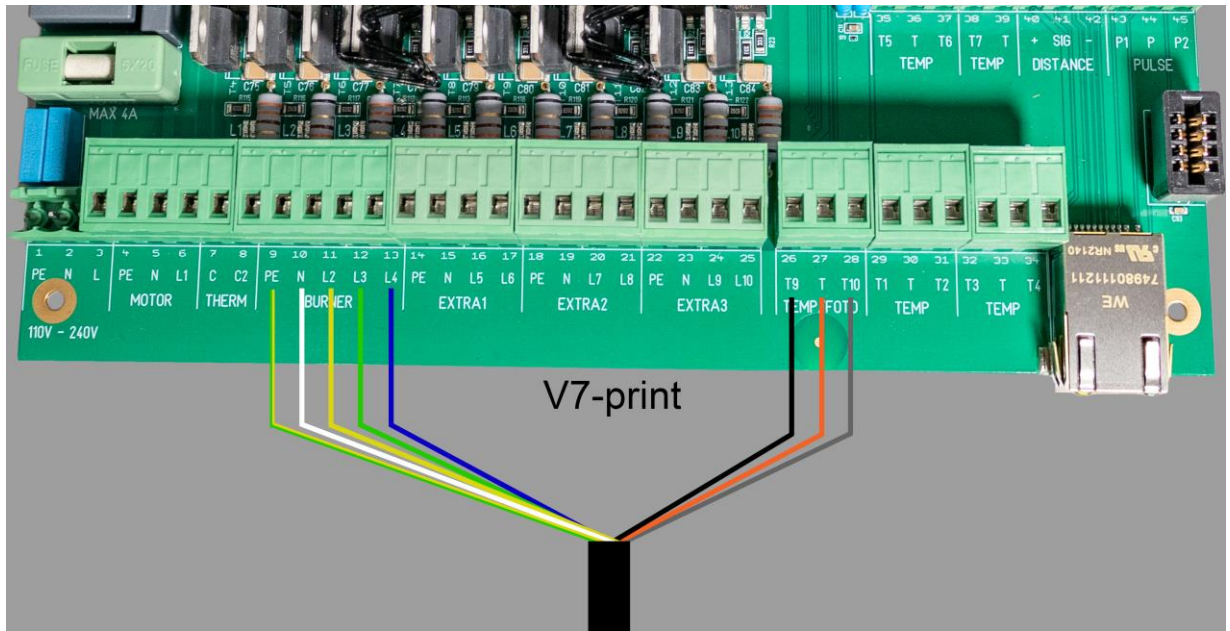
5. Secure your new 12 pin motor print to the burner.



Installation Guide

8-12Pin PTC Motorprint KIT

6. Finally, wire the leads of the burner plug to the V7 main print board as shown below:



Color	Port
Yellow/Green	PE
White	N
Yellow	L2
Green	L3
Blue	L4
Black	T7
Orange	T
Grey	T8
Light Blue	Do not use.
Red	Do not use
Purple	Do not use
Plnk	Do not use

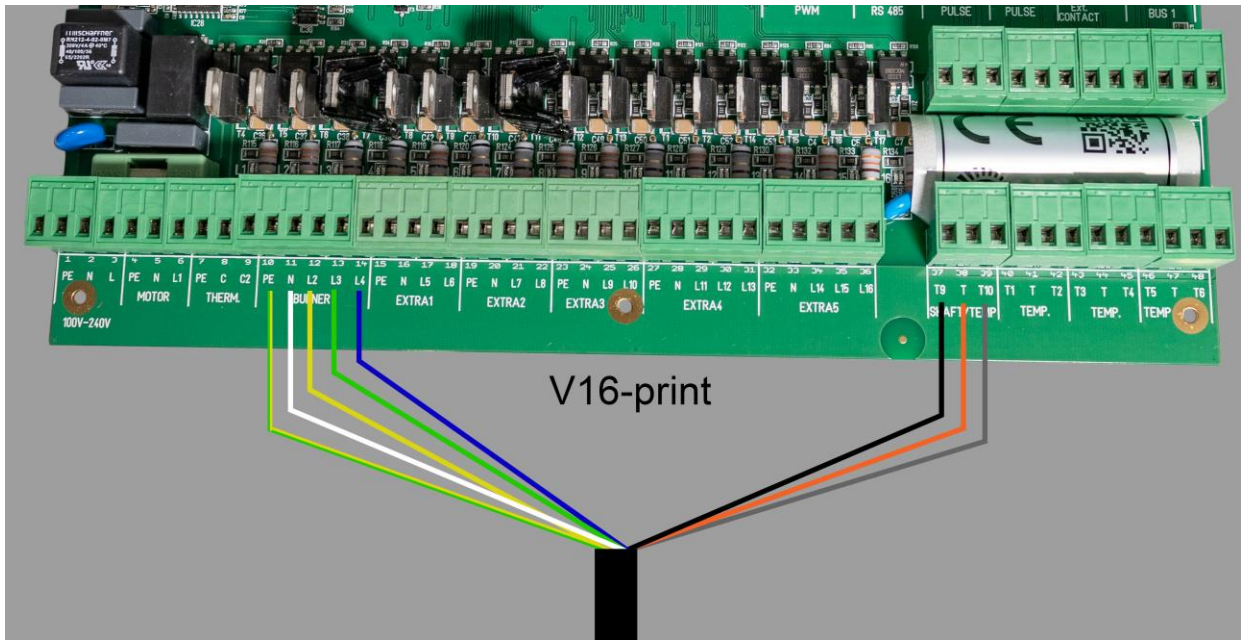


Installation Guide

8-12Pin PTC Motorprint KIT



6. Finally, wire the leads of the burner plug to the V16 main print board as shown below:



Color	Port
Yellow/Green	PE
White	N
Yellow	L2
Green	L3
Blue	L4
Black	T7
Orange	T
Grey	T8
Light Blue	Do not use.
Red	Do not use
Purple	Do not use
Plnk	Do not use

